

Mod. EVOLUTION 16

Ref. / Cód.8.49.51

SKU: 0439



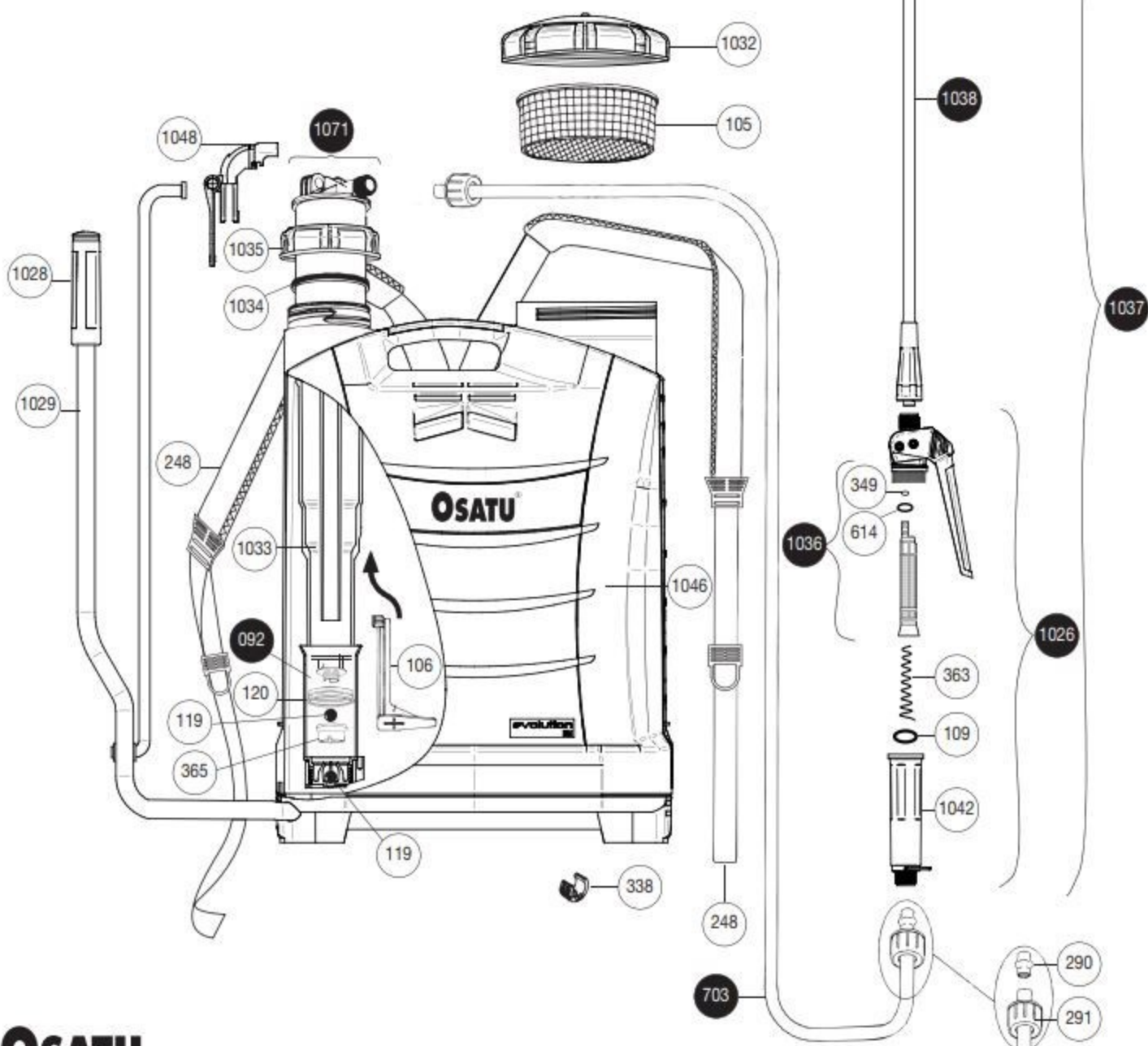
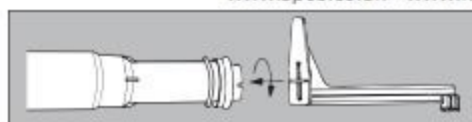
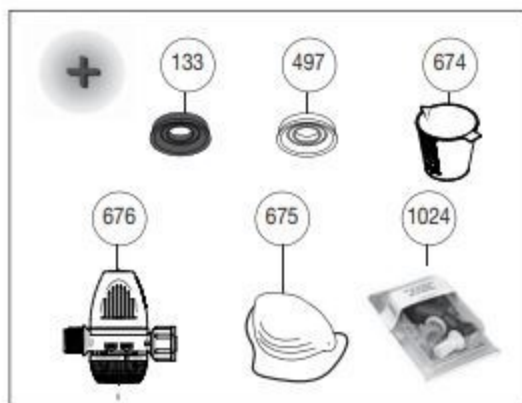
SPCB UK Ltd

PO Box 1349, Lincoln, Lincolnshire LN2 3XS

Phone: 01673 895130 Fax: 01673 895131

Email: info@spcb.co.uk

www.spcb.co.uk---www.moskillers.co.uk



OSATU